

CAT. No.

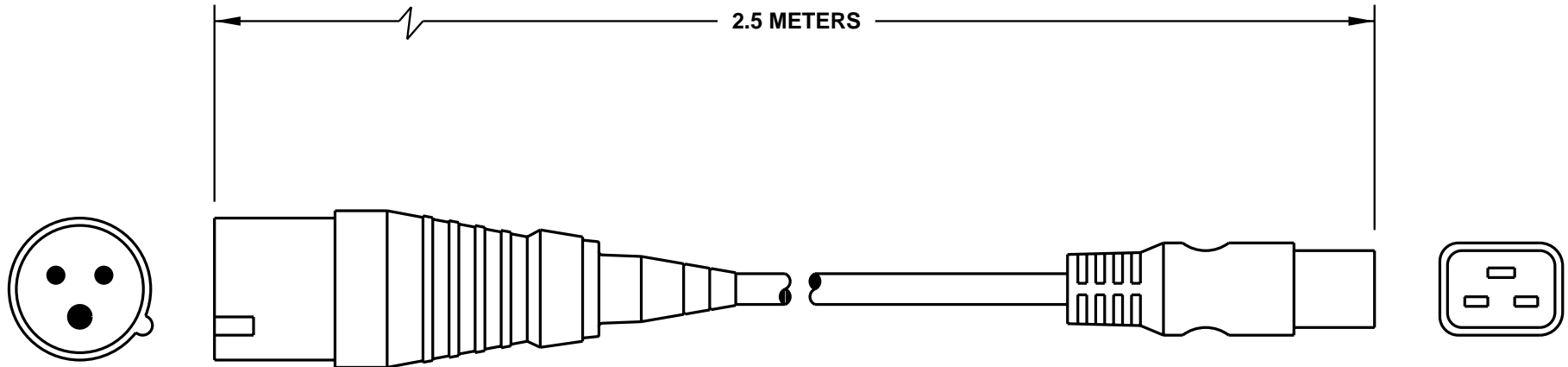
39050

DETACHABLE CORD SET

COMPONENT APPROVALS | CSA | UL

SPECIFICATIONS:

1. OVERALL LENGTH: 2.5 METERS
2. CONDUCTORS: 12 AWG x 3
3. JACKET: SJTO, 105°C, BLACK
4. PLUG: IEC 60309 4H, 20 AMPERE 125 VOLT (UL/CSA), 2 POLE + EARTH, YELLOW
5. CONNECTOR: IEC 60320 C-19, STRAIGHT, BLACK
6. RATED: 20 AMPERE 125 VOLT



www.InternationalConfig.com
sales@internationalconfig.com